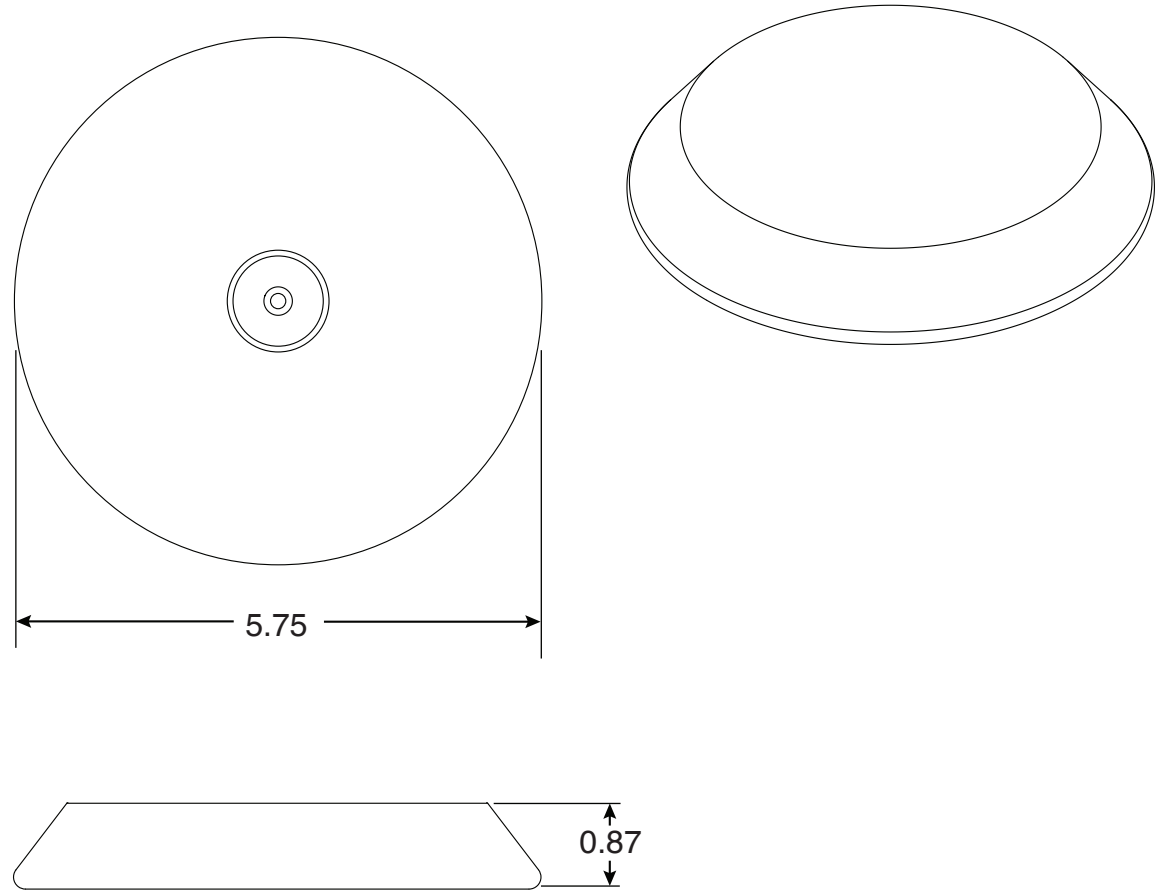




Metal Wall Anode

Part No.
TN-6W-38

Parts List	
QTY	Description
1	TN-6W-38 Wall Metal Anode



- White Powder Coated Anode
- 3/8"-16 Mounting Hole

Page 1 of 1



Perma-Cast Co. Pueblo, CO
www.permacastonline.com
Call 800-748-2770