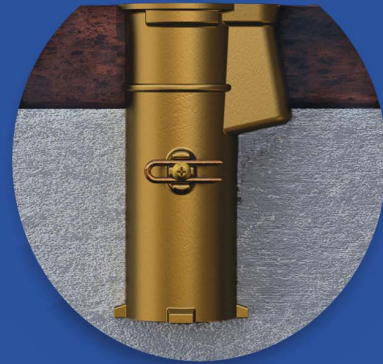


INTRODUCING THE BIG BOY

A SUPER SOCKET FOR SPECIAL APPLICATIONS

PS-6019-BC



SPECIFICALLY DESIGNED
FOR PAVER BRICK DECKS

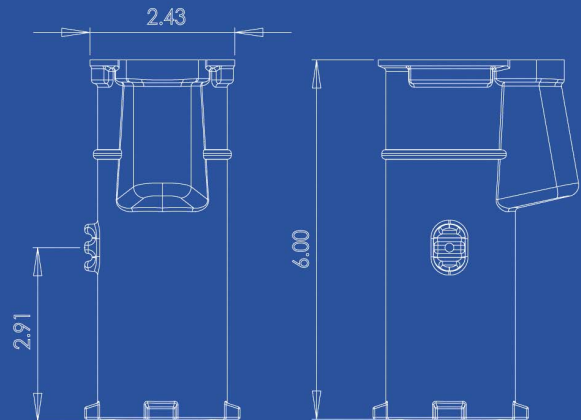
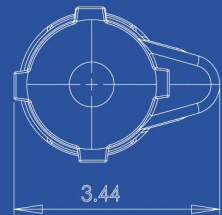
IDEAL FOR

- COMMERCIAL STANCHION ANCHORS
- UMBRELLA SLEEVES
- POOL TOY INSTALLATION

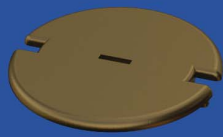


6"

- MADE WITH CORROSION RESISTANT BRONZE
- PAVER INSTALLATION IS A SNAP
- AVAILABLE ON PRE-MOUNTED CHANNELS
- EASY TO INSTALL CAP



SPECIAL FLUSH
MOUNT WEDGE



OPTIONAL CAP
AVAILABLE

AVAILABLE THROUGH DISTRIBUTION NATIONWIDE

- 1871 ASPEN CIRCLE ▪ PUEBLO, CO 81006 ▪
- PHONE 800-748-2770 FAX ▪ 719-544-3106 ▪



WWW.PERMACASTONLINE.COM