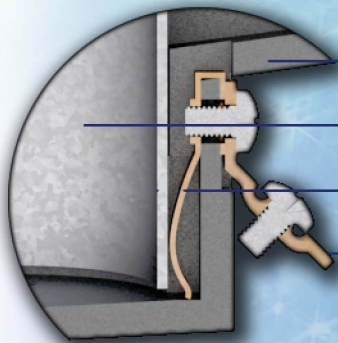


Corrosion Problems?

We Have a Economical Solution...

The Rookie Cyclolac Anchor Socket

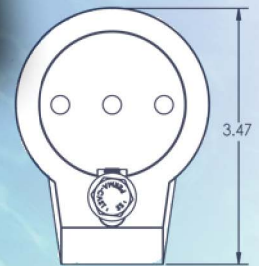
Patent Pending
Bonding System



Anchor Socket
Ladder Rail
Ladder Buss
Bonding Lug

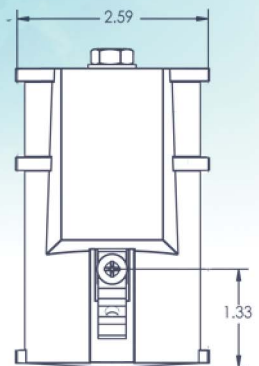
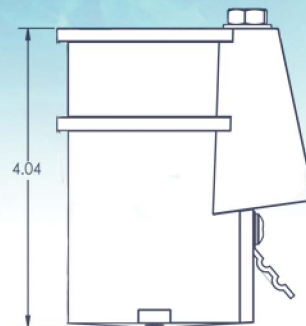


PW-P
Replacement Wedge



The Rookie PS-4019-P Has Many Advantages over Aluminum Anchors

- Recommended for Residential Pools
- High Strength Cyclolac Body and Wedge
- Corrosion Resistant Stainless Steel Fasteners
- Available on Pre-Mounted Channels
- Salt Sanitation Systems will not Corrode this Anchor
- 10-Year Limited Warranty



Call or Fax For a
Free Sample



Swimming Pool Products

Available Through Distribution Nationwide

1871 Aspen Circle • Pueblo, Colorado 81006 • Phone 800-748-2770 • Fax 719-544-3106
Visit Us At www.permacastonline.com