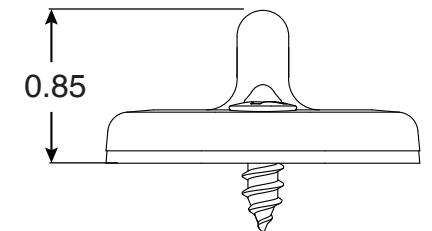
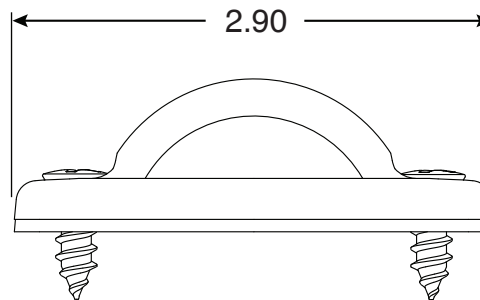
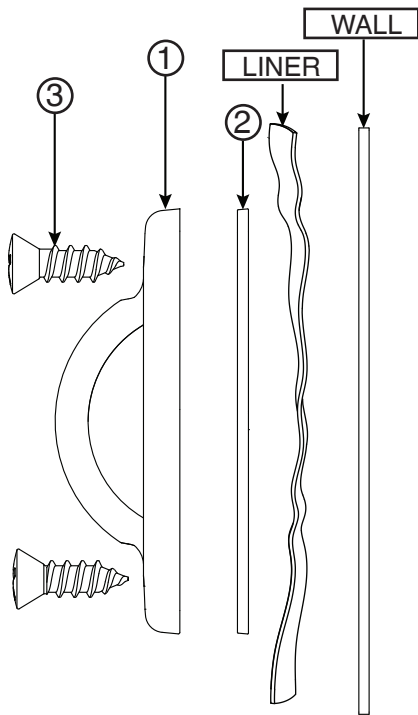
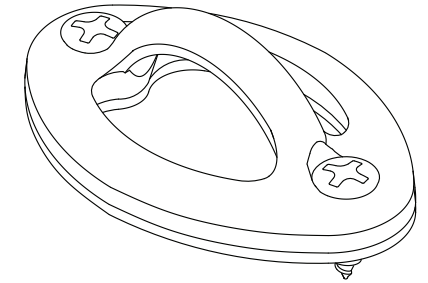
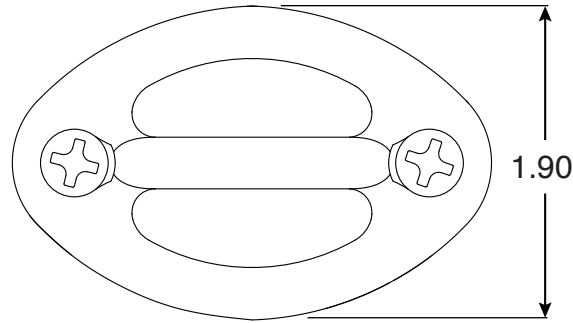




Wall Eye Anchor

Part No.
PI-76

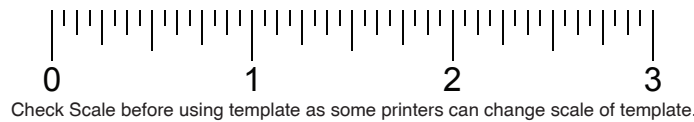
Parts List		
Part #	QTY	Description
1	1	PI-76 Flat Oval Rope Eye
2	1	PI-76 Gasket
3	2	#14 SS Sheet Metal Screw



DRILL TEMPLATE - DRILL 1/4" DIA



CENTER PUNCH BEFORE DRILLING



- Chrome Plated Bronze
- Flat Oval Rope Eye

Page 1 of 1



Perma-Cast Co. Pueblo, CO
www.permacastonline.com
Call 800-748-2770