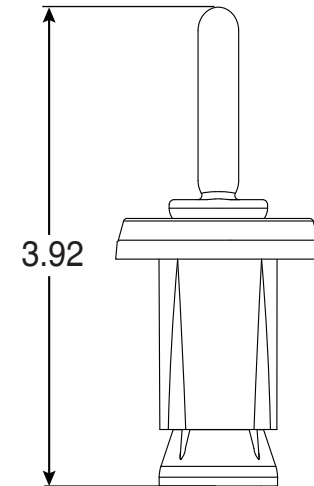
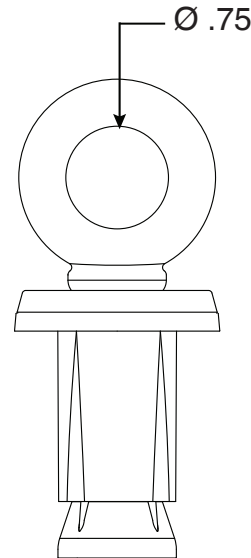
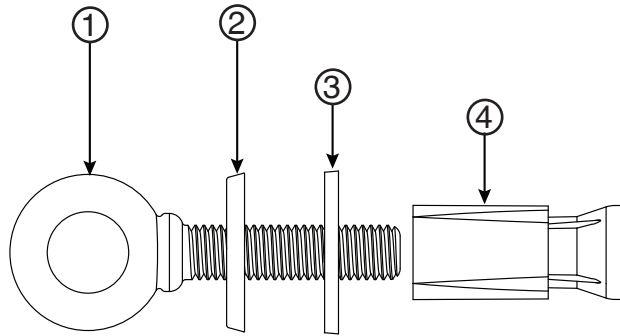
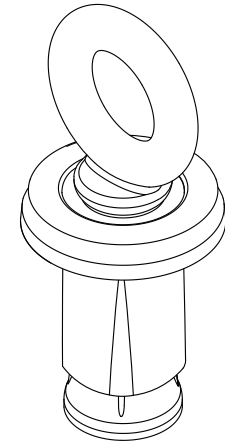
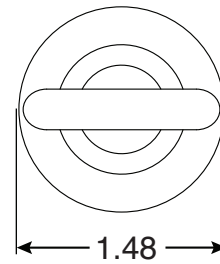




# Concrete Eye Anchor

Part No.  
PI-74

Parts List		
Part #	QTY	Description
1	1	PI-74 1/2"-13 Rope Eye
2	1	Chrome Plated Bezel
3	1	Rubber Gasket
4	1	1/2"-13 Lead Anchor



- Chrome Plated Bronze
- Rope Eye with Lead Sleeve

\*Drill Pool Wall 7/8" Dia x 1-1/2" Deep

**Important** - Clear all debris from hole before inserting the lead anchor.

Page 1 of 1



Perma-Cast Co. Pueblo, CO  
www.permacastonline.com  
Call 800-748-2770