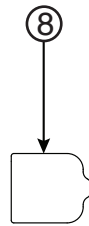
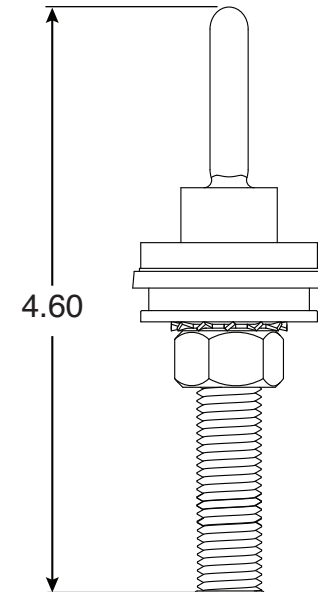
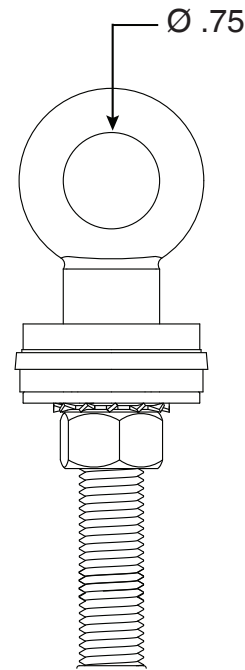
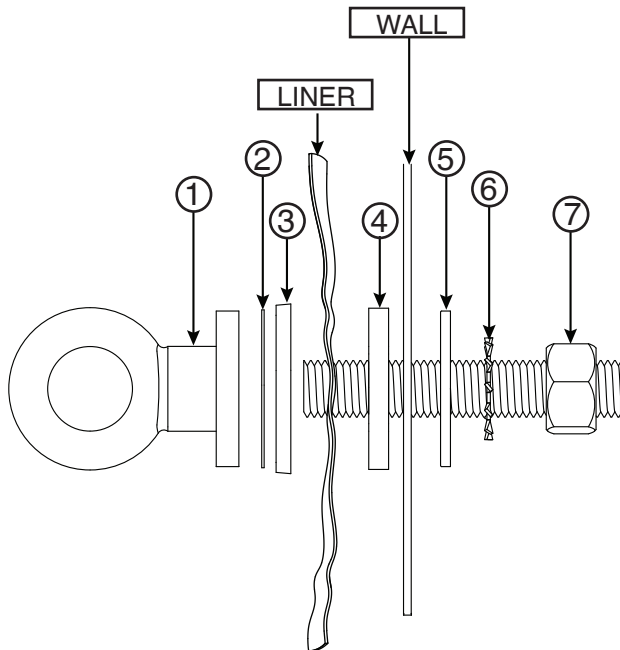
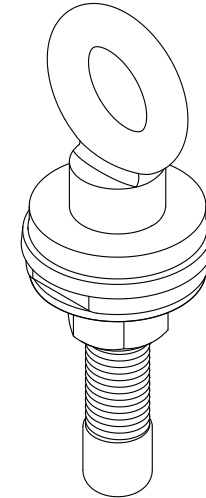
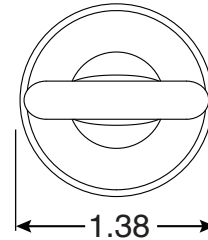




# Vinyl Liner Rope Eye

Part No.  
PI-72B.2

Parts List		
Part #	QTY	Description
1	1	PI-72B Rope Eye
4	1	PI-72B 1/2"-13 2 Inch Stud
2	1	Nylon Washer
3	1	Rubber Gasket
5	1	1/2" SS Washer
6	1	1/2" SS Star Lock Washer
7	1	1/2" Stainless Steel Nut
8	1	1/2" Rubber Stud Cap



Use for Installing Eye  
to prevent damaging  
liner during installation

- Chrome Plated Bronze
- Wall Eye Anchor
- PI-72B with 2 Inch Stud
- Drill Wall 1/2" Diameter

Page 1 of 1



Perma-Cast Co. Pueblo, CO  
www.permacastonline.com  
Call 800-748-2770