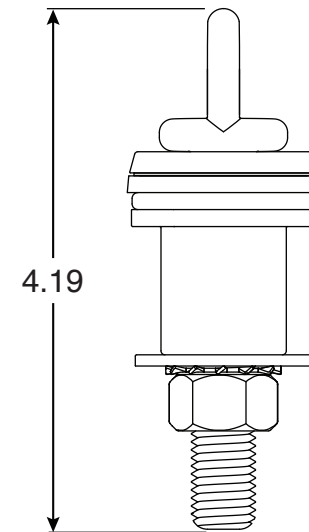
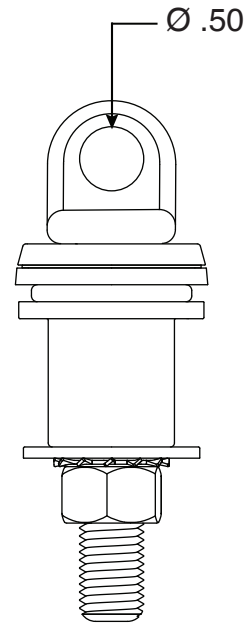
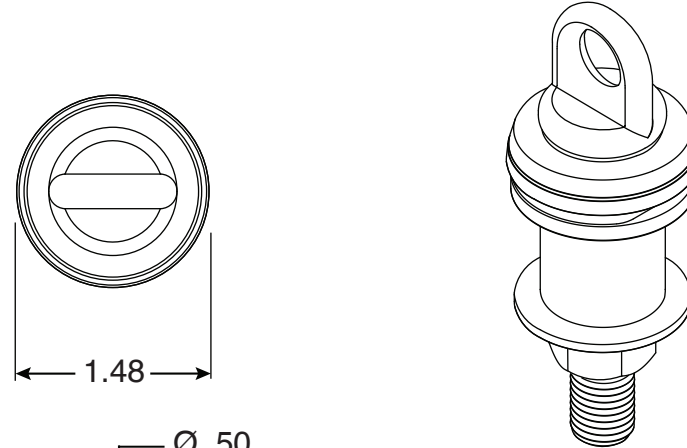
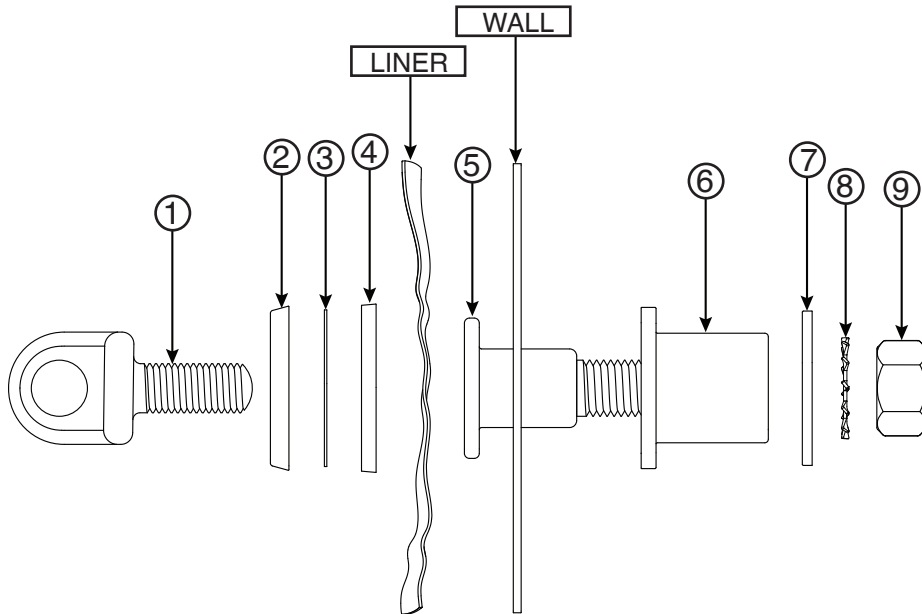




Vinyl Liner Rope Eye

Part No.
PI-2000

| Parts List | | |
|------------|-----|-------------------------------|
| Part # | QTY | Description |
| 1 | 1 | PI-2000 1/16"-14 Rope Eye |
| 5 | 1 | PI-2000 1/2"-13 Threaded Stud |
| 6 | 1 | PI-2000 Bushing |
| 2 | 1 | Chrome Plated Bezel |
| 3 | 1 | Nylon Washer |
| 4 | 1 | Rubber Gasket |
| 7 | 1 | 1/2" Washer |
| 8 | 1 | 1/2" SS Star Lock Washer |
| 9 | 1 | 1/2"-13 SS Nut |



- Chrome Plated Bronze
- Wall Eye Anchor
- Removable Eye for Vinyl Liners