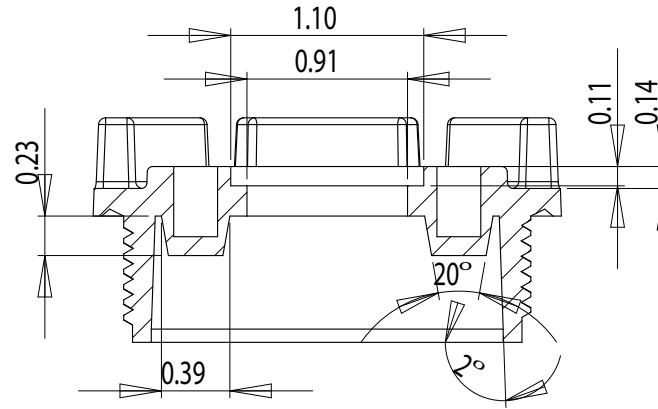
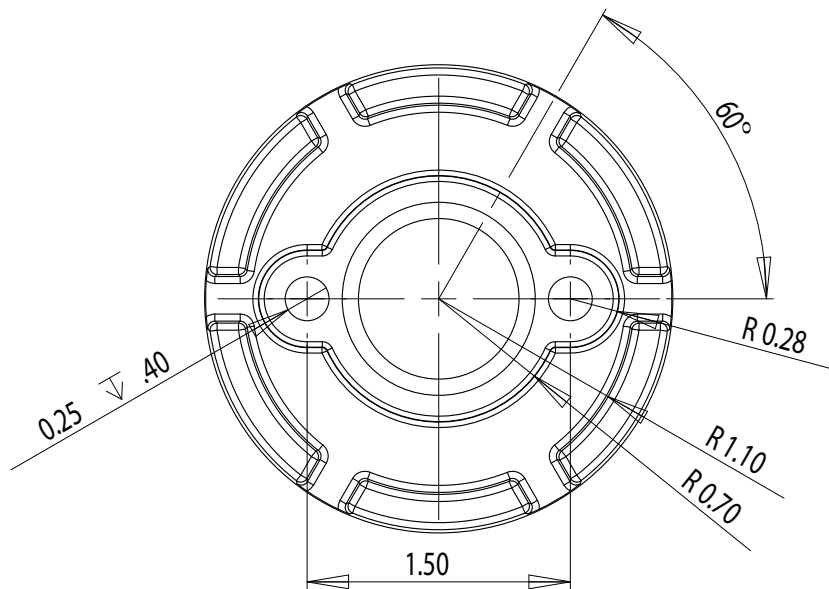
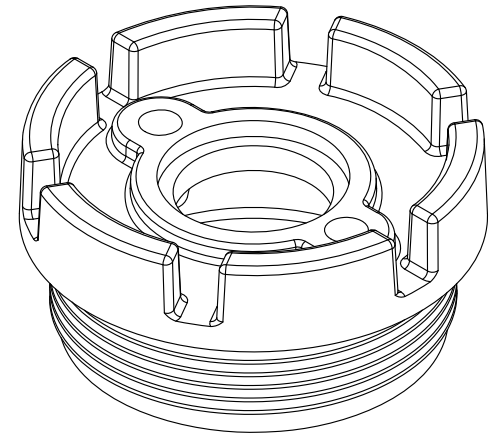
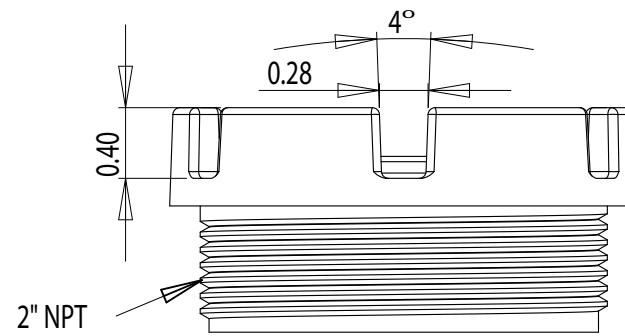
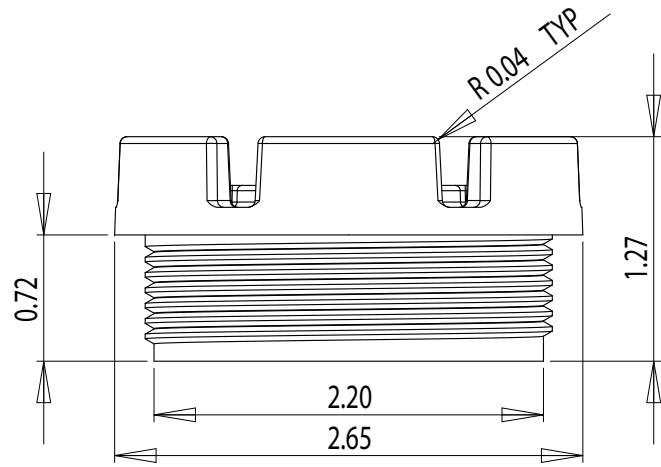




# PoolBond Skimmer 2" Skimmer Plug

Part No.  
PB-SK-20



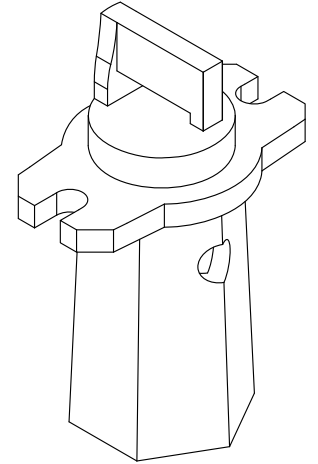
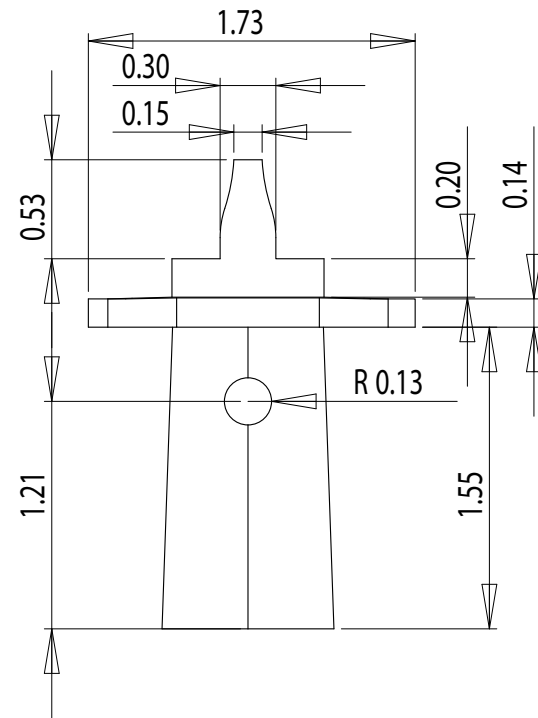
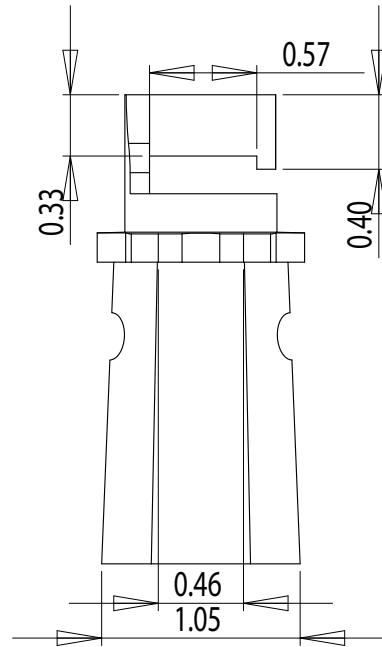
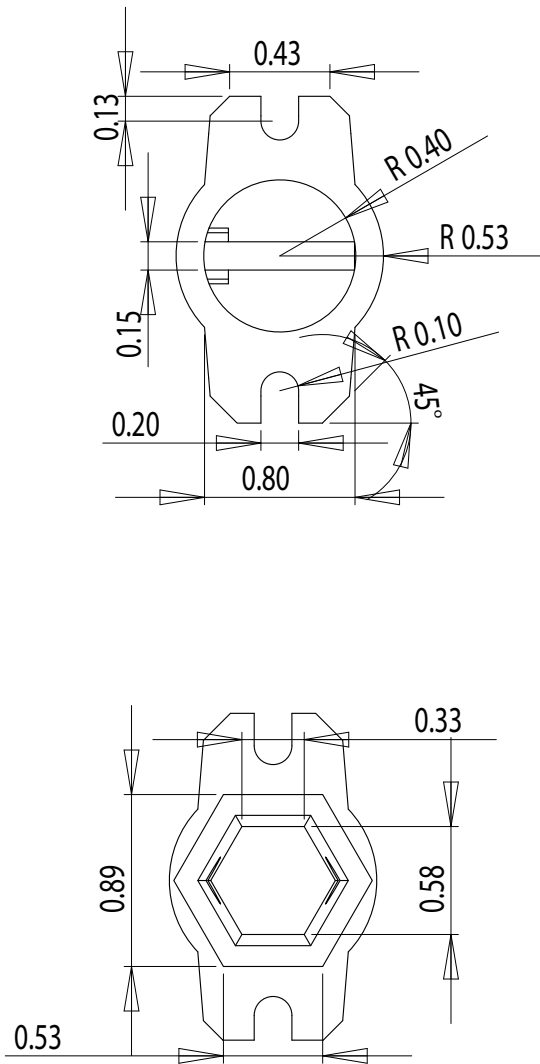
Patent: US 9,194,148 B1

Perma-Cast Co. Pueblo, CO  
www.permacastonline.com  
Call 800-748-2770



# PoolBond Skimmer Skimmer Fitting

Part No.  
PB-SK2008



Patent: US 9,194,148 B1

Perma-Cast Co. Pueblo, CO  
www.permacastonline.com  
Call 800-748-2770