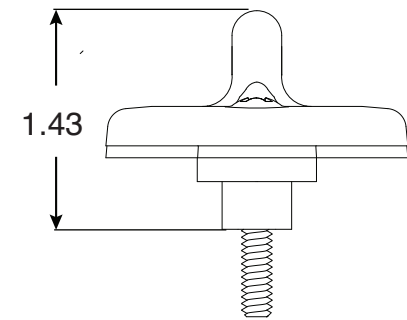
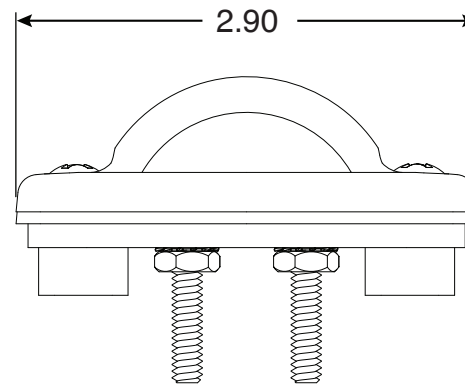
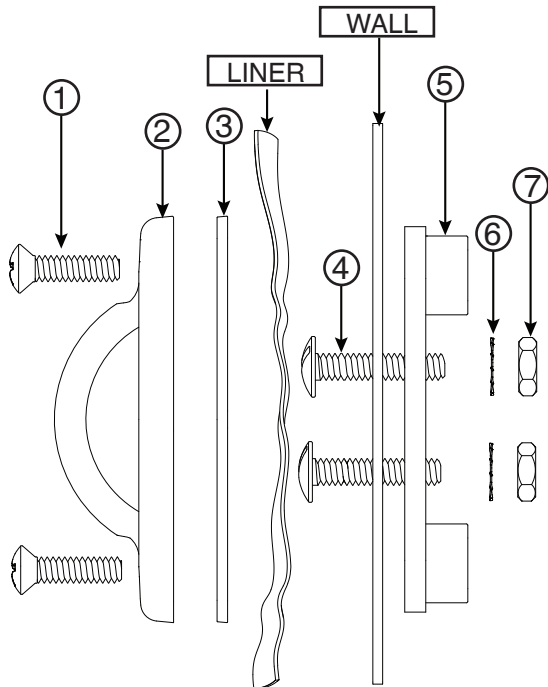
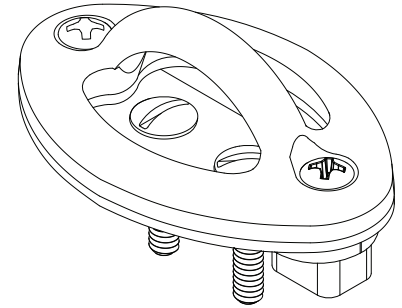
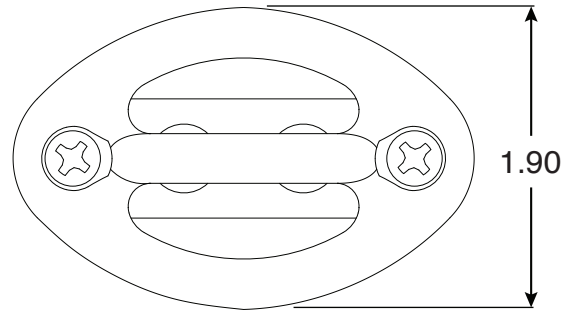




Vinyl Liner Rope Eye

Part No.
PI-76B

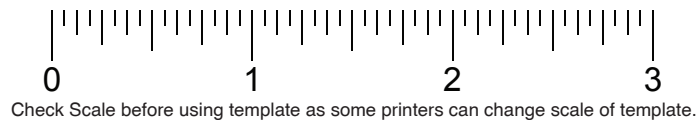
Parts List		
Part #	QTY	Description
2	1	PI-76 Flat Oval Rope Eye
3	1	PI-76 Gasket
5	1	PI-76B Bracket
1	2	10-24 x 1" Oval Head Screw
4	2	10-24 x 5/8" Truss Head Screw
6	2	10-24 SS Star Lock Washer
7	2	10-24 Stainless Steel Nut



DRILL TEMPLATE - DRILL 1/4" DIA



CENTER PUNCH BEFORE DRILLING



- Chrome Plated Bronze
- Flat Oval Rope Eye

Page 1 of 1