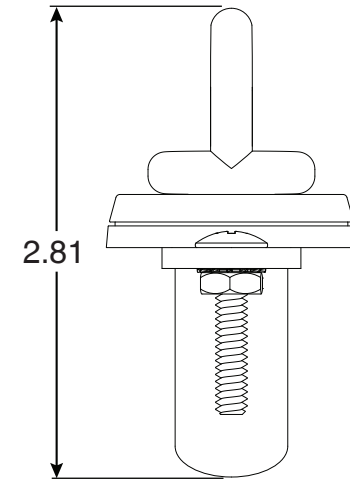
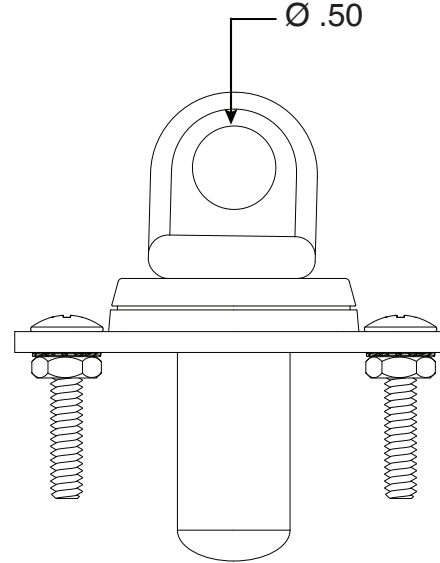
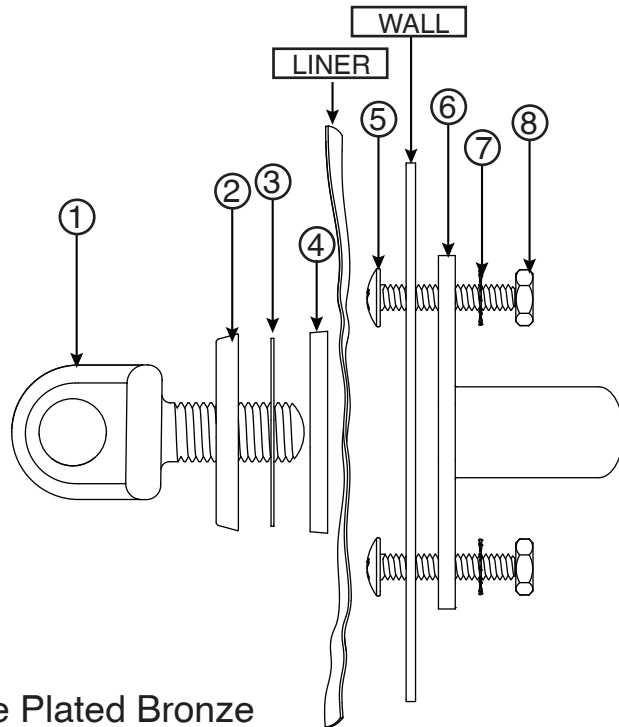
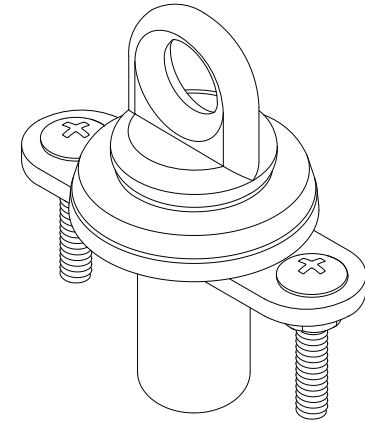
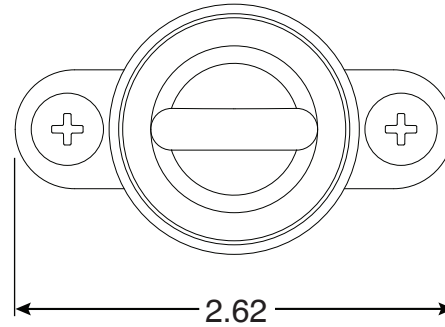




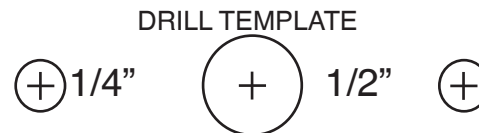
# Vinyl Liner Rope Eye

Part No.  
PI-72

Parts List		
Part #	QTY	Description
1	1	PI-72 7/16"-14 Rope Eye
6	1	PI-72 Bronze Body
2	1	Chrome Plated Bezel
3	1	Nylon Washer
4	1	Rubber Gasket
5	1	10-24 SS Truss Head Screw
7	1	10-24 SS Star Lock Washer
8	1	10-24 Stainless Steel Nut



- Chrome Plated Bronze
- Wall Eye Anchor
- Removable Eye for Vinyl Liners



CENTER PUNCH BEFORE DRILLING



Check Scale before using template as some printers can change scale of template.