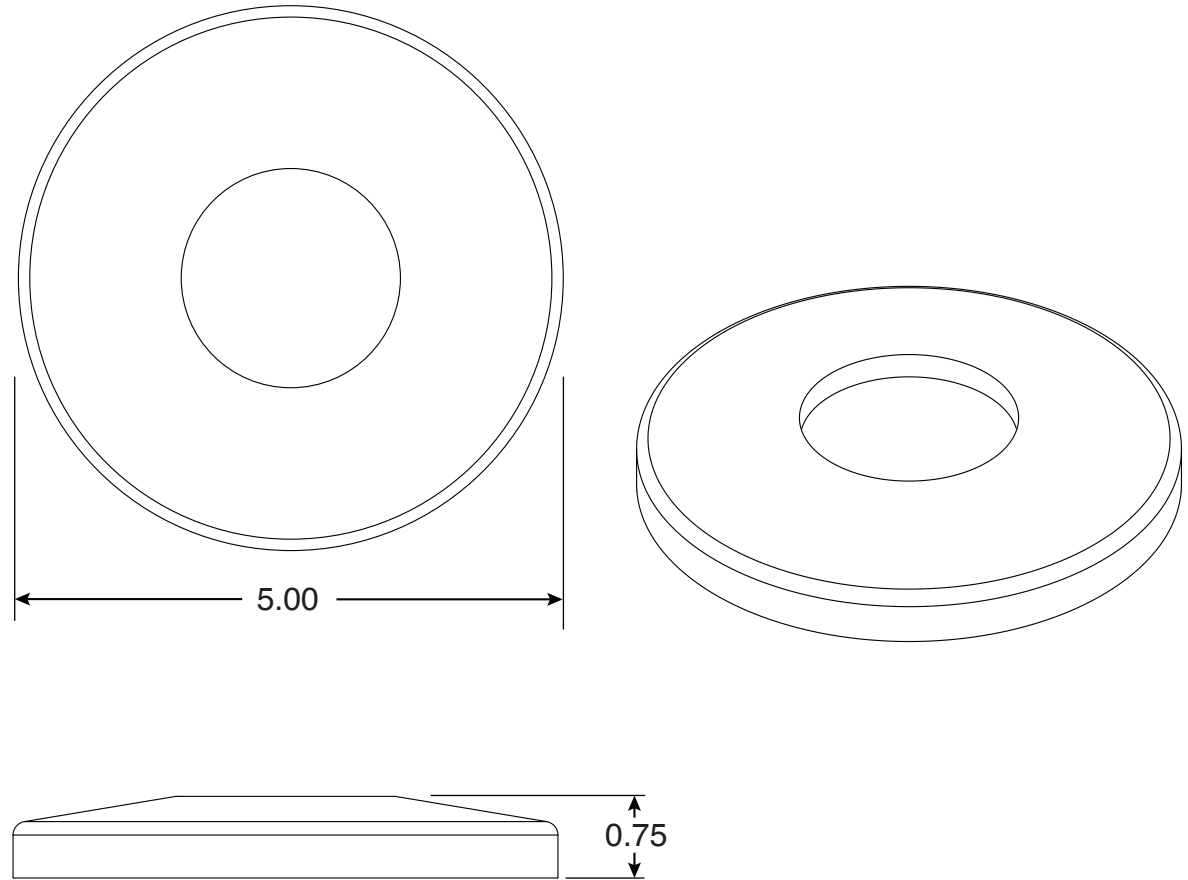




# Chrome Cyclac Escutcheon

Part No.  
PE-0019-C

Parts List	
QTY	Description
1	Chrome Cyclac Escutcheon



- Chrome Plated Cyclac
- Accomodates 1.90" OD Tubing

Perma-Cast LLC Pueblo, CO  
www.permacastonline.com  
Call 719-544-9544