

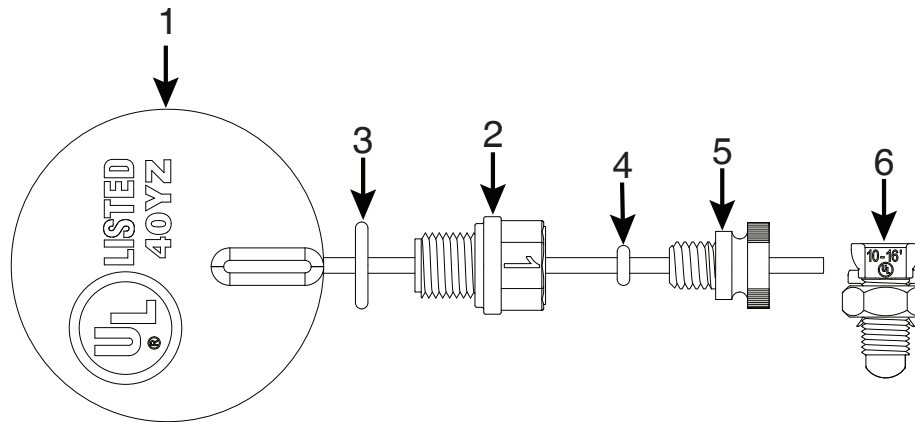
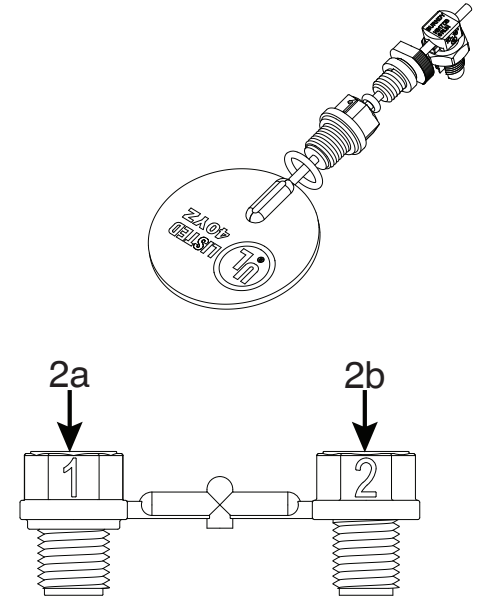
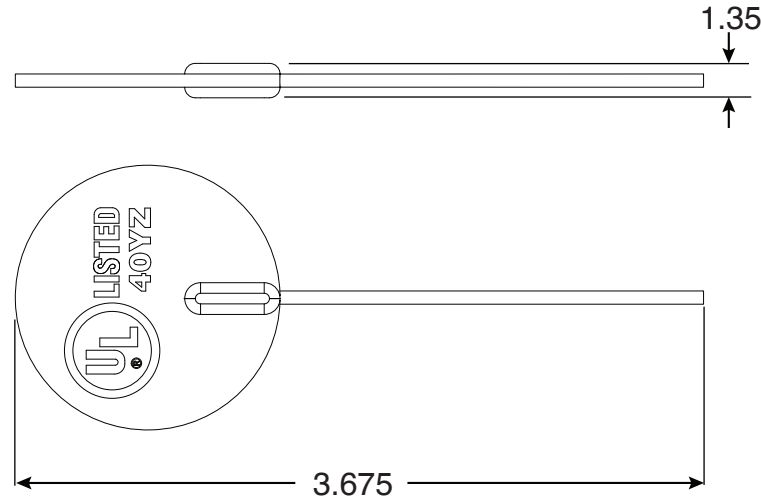


# Water Bonding Fitting Above Ground Pools

Part No. PB-AG

**PoolBond**  
ELECTRICAL POOL BONDING  
Patent: US 9,194,148 B1

Parts List		
Part #	QTY	Description
1	1	Lollypop Bonding Plate
2a	1	Drain Plug #1
2b	1	Drain Plug #2
3	1	Pump Drain O-Ring
4	1	Wire Seal O-Ring
5	1	Nylon Thumb Screw
6	1	Bonding Split Bolt



LISTED  
40YZ



680.26(c)



- Complies with Nation Electrical Code 680.26(C)
- UL Listed
- Pump Mount Water Bonding Fitting
- 10.5 Total Square Inches

Perma-Cast Co. Pueblo, CO  
www.permacastonline.com  
Call 719-544-9544